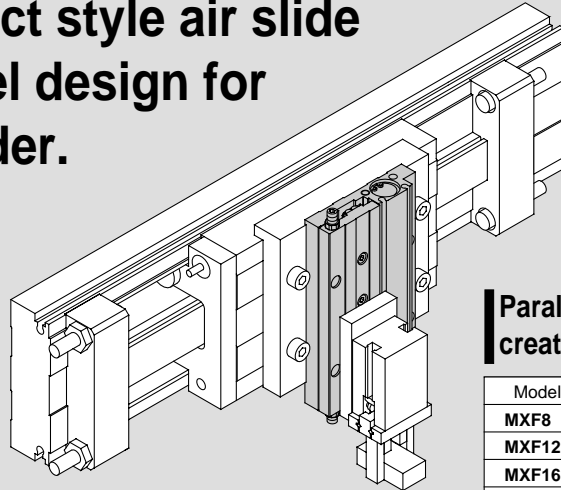




Low Profile Slide Table Series MXF

ø8, ø12, ø16, ø20

Slim and compact style air slide table has parallel design for guide and cylinder.



Parallel design of guide and cylinder creates a slim and compact slide.

Model	Height x Width(mm)	Height comparison to MXS
MXF8	16 X 58	67%
MXF12	18.5 X 68	59%
MXF16	21 X 80	53%
MXF20	27 X 92	54%

Standard stroke adjustment

Stroke can be adjusted at each stroke end within 5mm each end and 10mm in total.

Covered stop bolt

Allows for neat appearance.

Body mounting (Body tapped)

Auto switch can be mounted

Auto switch is recessed in the groove to save space.

Slim body

Parallel arrangement of guide and cylinder achieves a thin cylinder profile.

Repeatability of attachment and unattachment

Positioning pin holes on table top allows precise and easy mounting to change work piece.

High rigidity/High precision

Cross roller guide allows smooth operation without vibration.

Optional porting

Lateral and axial piping from 2 directions is possible.

Stronger thread for mounting work

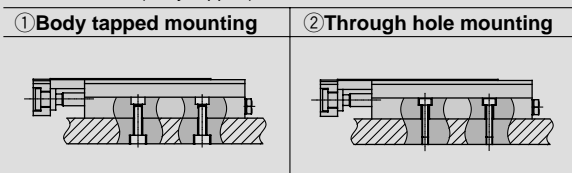
Helisert thread for mounting work

Repeatability of attachment and unattachment

Pin holes for positioning on bottom of slide allows precise and accurate mounting of actuator.

Body mounting (Body tapped)

Mounting can be done from 2 directions top side (through hole) and bottom side (body tapped).



Variations

Model	Bore size (mm)	Stroke (mm)						Auto switch
		10	20	30	50	75	100	
MXF8	8	●	●	●	●	●	●	Reed switch D-A9□, D-A9□V Solid state switch D-F9□, D-F9□V 2 colour solid state switch D-F9□W, D-F9□WV
MXF12	12		●	●	●	●	●	
MXF16	16			●	●	●	●	
MXF20	20				●	●	●	

- CL
- MLG
- CNA
- CNG
- MNB
- CNS
- CLS
- CB
- CV/MVG
- CXW
- CXS
- CXT
- MX
- MXU
- MXH
- MXS
- MXQ
- MXF
- MXW
- MXP
- MG
- MGP
- MGQ
- MGG
- MGC
- MGF
- MGZ
- CY
- MY

Low Profile Slide Table Series *MXF*

How to Order

Low Profile Slide Table **MXF 12-50-F9N S**

Bore-Stroke (mm)

ø 8	10, 20, 30
ø 12	20, 30, 50
ø 16	30, 50, 75
ø 20	30, 50, 75, 100

Number of auto switches

—	2 pcs.
S	1 pc.
n	n pcs.

Auto switch

—	Without auto switch
---	---------------------

Select the auto switch from the list below.

How to Order Stroke Adjuster (Accessory)

MXF — A 16 27 — X11

Applicable cylinder bore size

8	ø8
12	ø12
16	ø16
20	ø20

Adjustable range

—	5mm	Standard
X11	15mm	Option
X12	25mm	

* -X12 (Adjustable range 25mm) is not available for series MXF8/MXF12.
* -X11 and -X12 are not available as built-in product.

Applicable Auto Switches/Refer to p.5.3-2 for the detailed specifications on auto switches.

Style	Special function	Electrical entry	Indicator	Wiring (Output)	Load voltage			Auto switch model		Lead wire length		Applicable load	
					DC	AC		Electrical entry direction		0.5 (—)	3 (L)		
						24V	5V	100V or less	100V				
Reed switch	—	Grommet	No	2 wire	24V	5V	100V or less	A90V	A90	●	●	IC	Relay PLC
								A93V	A93	●	●	—	
Solid state switch	Diagnostic indication (2 colour)	Grommet	Yes	3 wire (NPN)	24V	12V	—	F9NV	F9N	●	●	—	Relay PLC
				3 wire (PNP)				F9PV	F9P	●	●		
				2 wire				F9BV	F9B	●	●		
				3 wire (NPN)				F9NWV	F9NW	●	●		
				3 wire (PNP)				F9PWV	F9PW	●	●		
				2 wire				F9BWV	F9BW	●	●		

* Lead wire length 0.5m..... (Example)A93
3m.....L (Example)A93L

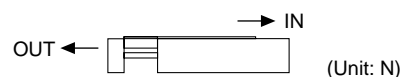
Low Profile Slide Table Series **MXF**

Specifications



Bore size (mm)	ø 8	ø 12	ø 16	ø 20
Port size	M3 X 0.5	M5 X 0.8		
Fluid	Air			
Action	Double acting			
Operating pressure	0.15 to 0.7MPa			
Proof pressure	1.05MPa			
Ambient and fluid temperature	-10 to 60°C			
Operating speed range	50 to 500mm/s			
Cushion	Both ends rubber bumper			
Lubrication	Non-lube			
Auto switch (option)	Reed switch Solid state switch (2 wire, 3 wire) 2 color indication solid state switch (2 wire, 3 wire)			
Stroke tolerance	${}^{+1}_0$ mm			
Stroke adjustment range	Extend 5mm/Retract 5mm			

Theoretical Force



Bore size (mm)	Rod diameter (mm)	Operating direction	Piston area (mm ²)	Operating pressure (MPa)					
				0.2	0.3	0.4	0.5	0.6	0.7
8	4	OUT	50	10	15	20	25	30	35
		IN	38	8	11	15	19	23	27
12	6	OUT	113	23	34	45	57	68	79
		IN	85	17	26	34	43	51	60
16	8	OUT	201	40	60	80	101	121	141
		IN	151	30	45	60	76	91	106
20	10	OUT	314	63	94	126	157	188	220
		IN	236	47	71	94	118	142	165

Note) Theoretical force (N)=Pressure (MPa) X Piston area(mm²)

Standard Stroke

Model	Standard stroke (mm)
MXF8	10, 20, 30
MXF12	20, 30, 50
MXF16	30, 50, 75
MXF20	30, 50, 75, 100

Weight

Model	Standard stroke (mm)					
	10	20	30	50	75	100
MXF8	120	130	170	—	—	—
MXF12	—	210	250	360	—	—
MXF16	—	—	360	500	690	—
MXF20	—	—	600	750	1060	1370

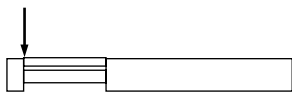
- CL
- MLG
- CNA
- CNG
- MNB
- CNS
- CLS
- CB
- CV/MVG
- CXW
- CXS
- CXT
- MX
- MXU
- MXH
- MXS
- MXQ
- MXF**
- MXW
- MXP
- MG
- MGP
- MGQ
- MGG
- MGC
- MGF
- MGZ
- CY
- MY

Series MXF

Table Deflection

Table deflection by pitch moment

Table pitch deflection due to static pitch moment applied at arrow for all strokes of slide table.



MXF 8

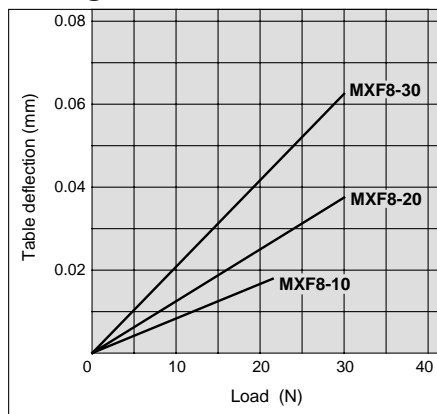


Table deflection by yaw moment

Table yaw deflection due to static yaw moment applied at arrow for all strokes of slide table.

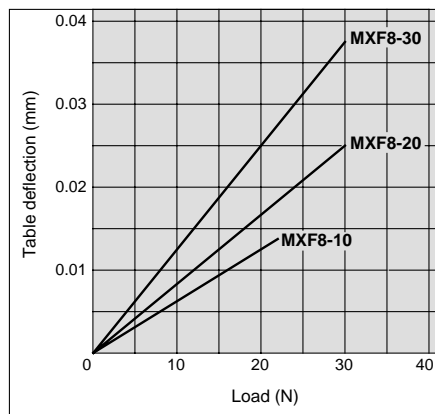
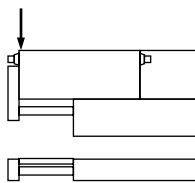
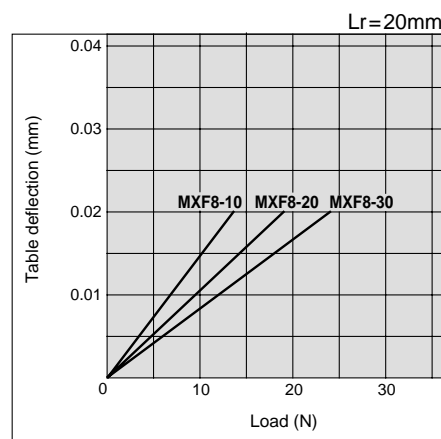
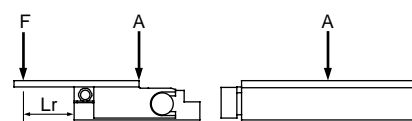
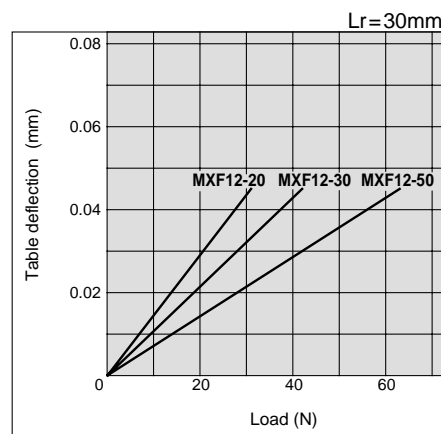
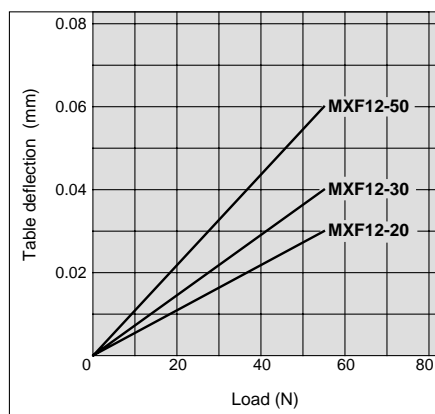
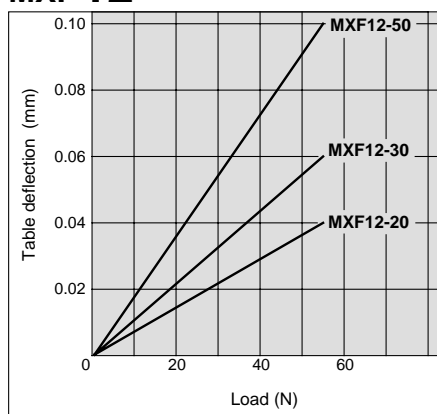


Table deflection by roll moment

Table roll deflection arrow A due to static roll moment applied at arrow F when Lr=20mm and table is retracted.



MXF 12



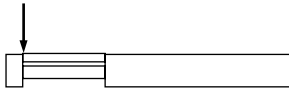
Allowable static moment

Model	Stroke (mm)	Allowable static moment: Mp, My, Mr (Nm)						Correction value for moment centre distance (mm)					
		10	20	30	50	75	100	Cp1	Cp2	Cy1	Cy2	Cr1	Cr2
MXF8	16	0.56	0.78	0.98	—	—	—	6 ⁽¹⁾	10	6 ⁽¹⁾	21	21	10
MXF12	16	—	1.65	2.22	3.34	—	—	10	11	10	23	23	11
MXF16	16	—	—	3.41	5.69	7.96	—	10	12	10	28	28	12
MXF20	16	—	—	6.66	9.14	13.70	18.27	11	17	11	34	34	17

Note 1) 16mm only for MXF8-10.

Table deflection by pitch moment

Table pitch deflection due to static pitch moment applied at arrow for all strokes of slide table.



MXF 16

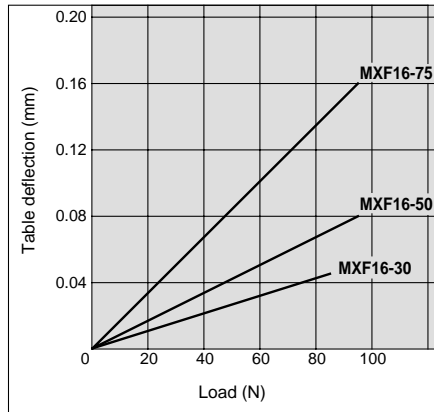


Table deflection by yaw moment

Table yaw deflection due to static yaw moment applied at arrow for all strokes of slide table.

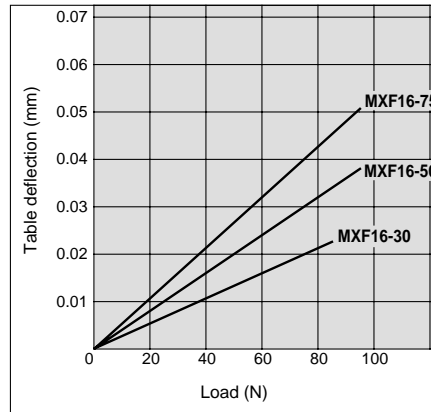
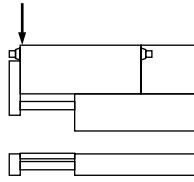
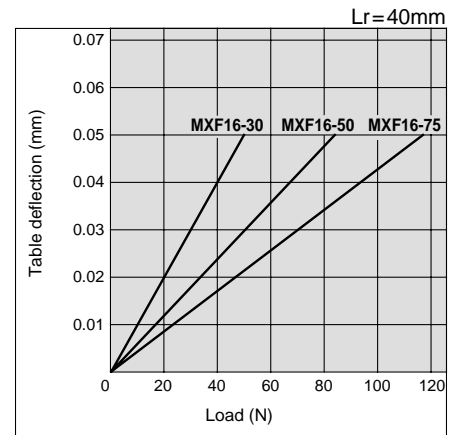
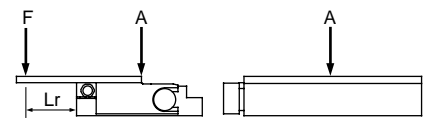
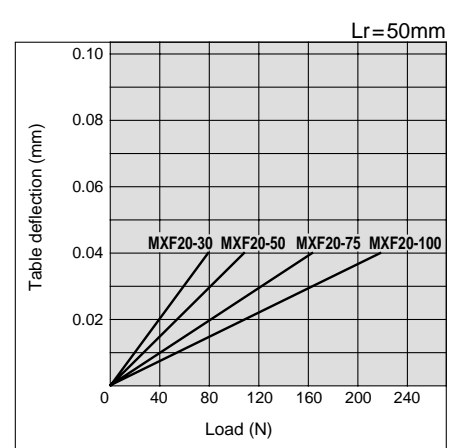
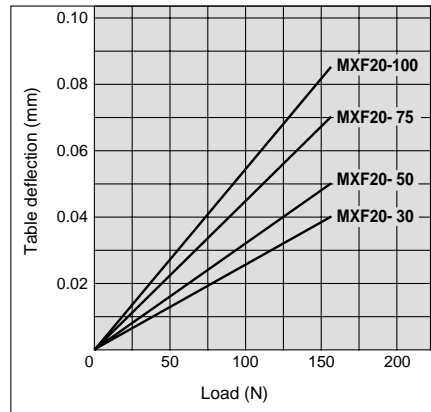
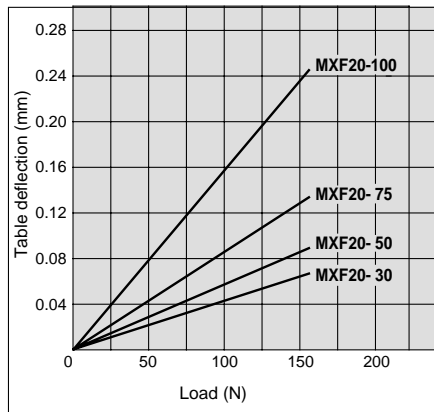


Table deflection by roll moment

Table roll deflection arrow A due to static roll moment applied at arrow F when Lr=20mm and table is retracted.

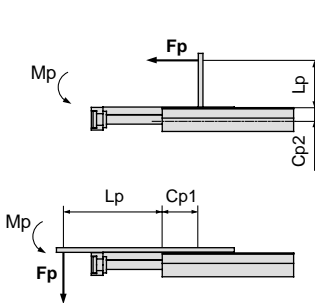


MXF 20



Formula for calculation of allowable static load, Fp, Fy and Fr

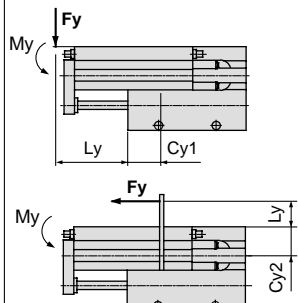
When pitch moment is applied



$$F_p = \frac{M_p \times 1000}{(L_p + C_p)} \quad (\text{N})$$

Lp: Distance between body and load point(mm)
Cp: Correction value for moment center distance(mm)

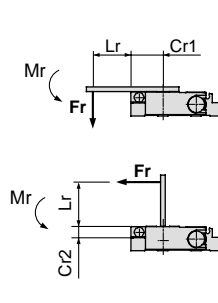
When yaw moment is applied



$$F_y = \frac{M_y \times 1000}{(L_y + C_y)} \quad (\text{N})$$

Ly: Distance between body and load point(mm)
Cy: Correction value for moment center distance(mm)

When roll moment is applied



$$F_r = \frac{M_r \times 1000}{(L_r + C_r)} \quad (\text{N})$$

Lr: Distance between body and load point(mm)
Cr: Correction value for moment center distance(mm)

⚠️ Precaution

Selection

⚠️ Caution

- ① If a table is stopped at an intermediate position by an external stopper, avoid ejection. If ejection occurs, it causes damage. If a slide table is stopped at an intermediate position by an external stopper and then forwarded to the front, draw back the intermediate stopper after supplying pressure to allow the slide table to return to the back for an instant, then supply pressure to the opposite port to operate the slide table.
- ② Do not use in circumstances that excessive, external forces or impacts would be applied. These conditions could lead to malfunctions.
- ③ Portable weight should be 1/10 or less of the allowable static load in consideration of the overhang or inertia.

- CL
- MLG
- CNA
- CNG
- MNB
- CNS
- CLS
- CB
- CV/MVG
- CXW
- CXS
- CXT
- MX
- MXU
- MXH
- MXS
- MXQ
- MXF
- MXW
- MXP
- MG
- MGP
- MGQ
- MGG
- MGC
- MGF
- MGZ
- CY
- MY

Guide for Operation of Slide Table MXF

⚠ Precaution

Be sure to read before handling.
Refer to p.0-39 to 0-43 for Safety
Instructions and common precautions.

Mounting

⚠ Caution

- ① Do not scratch or dent the mounting side of the body, table or end plate. It causes play in the guide section and increases sliding resistance.
- ② Do not apply scratch or dent the forward side of the rail or guide. It can cause play of the guide section and increases sliding resistance.
- ③ Do not bring into close contact with objects which would be influenced by a magnetic field. As an air slide table has magnets built-in, do not allow close contact with magnetic disks, magnetic cards or magnetic tapes. Data may be erased.
- ④ When mounting an air slide table, screws of appropriate length should be used and tightened properly within the maximum tightening torque. If screws are tightened beyond designed limits, malfunction may occur. If they are tightened insufficiently, it may result in sliding from its position.
- ⑤ Be careful when adjusting stroke not to allow cylinder end plate to bottom out against cylinder body.

Positioning

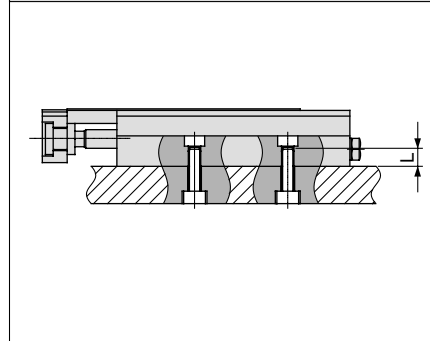
⚠ Caution

- ① Pin holes are designed to allow accurate and repeated mounting.
- * Location of pin holes on top and bottom are not identical.

Slide Table Mounting

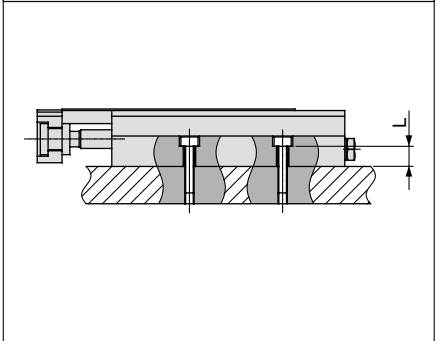
The slide table can be mounted from 2 directions. Select the best direction according to your application.

① Body tapped mounting



Model	Bolt used	Max. torque (Nm)	Max. screw-in depth L(mm)
MXF8	M4 X 0.7	2.1	4.7
MXF12	M4 X 0.7	2.1	6.5
MXF16	M5 X 0.8	4.4	6.7
MXF20	M5 X 0.8	4.4	8.5

② Through hole mounting



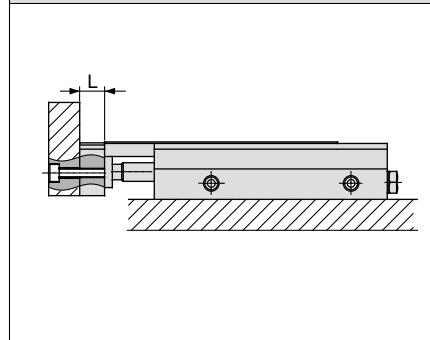
Model	Bolt used	Max. torque (Nm)	Max. screw-in depth L(mm)
MXF8	M3 X 0.5	1.2	4.7
MXF12	M3 X 0.5	1.2	6.5
MXF16	M4 X 0.7	2.8	6.7
MXF20	M4 X 0.7	2.8	8.5

⚠ **Caution** 0.02mm or less of flatness is recommended. An uneven mounting surface may cause play and increase sliding resistance.

Mounting of Work Piece

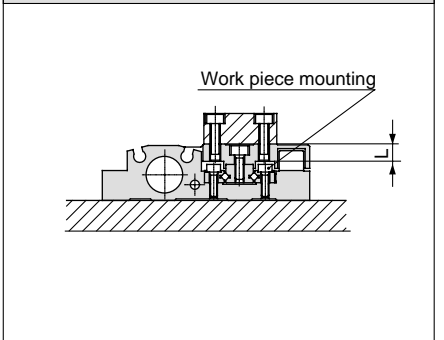
Work can be mounted on two sides of the air slide table.

① Front face mounting



Model	Bolt used	Max. torque (Nm)	Max. screw-in depth L(mm)
MXF8	M3 X 0.5	0.9	6
MXF12	M3 X 0.5	0.9	6
MXF16	M4 X 0.7	2.1	10
MXF20	M5 X 0.8	4.4	12

② Top face mounting

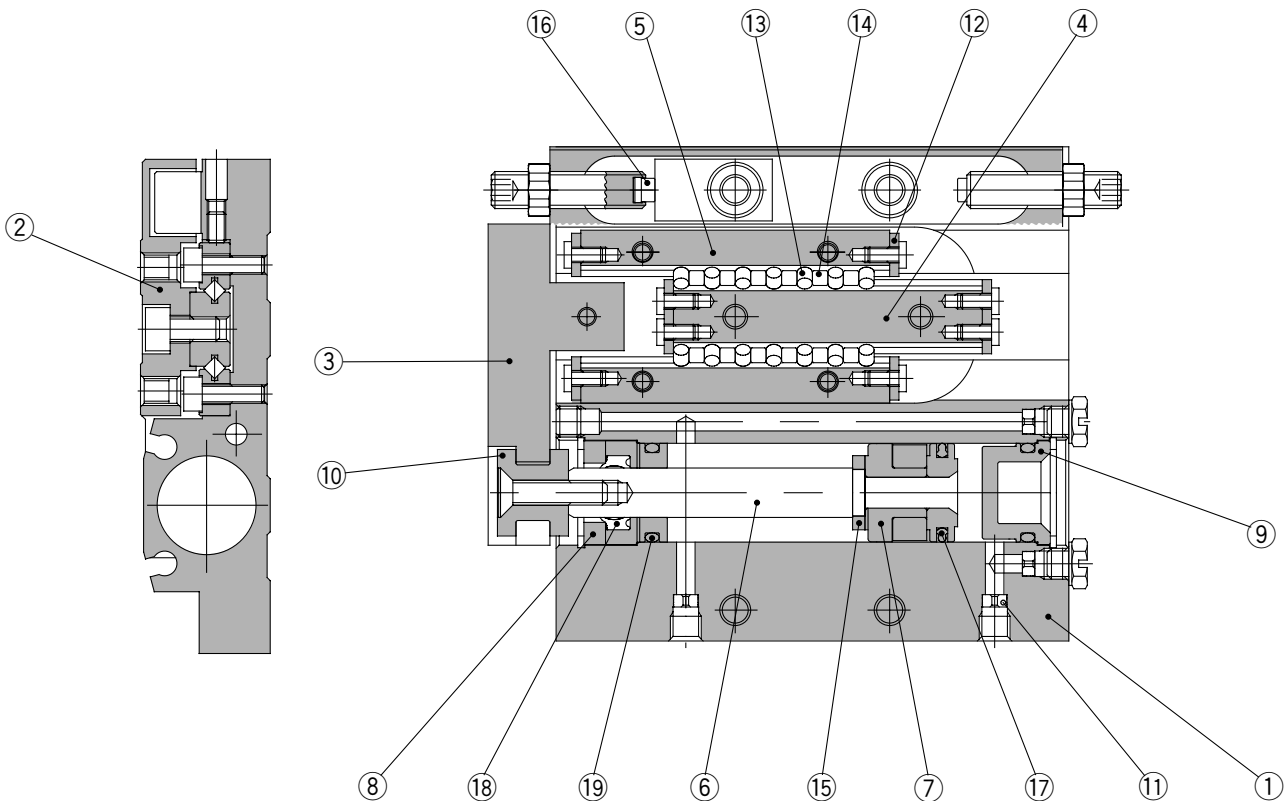


Model	Bolt used	Max. torque (Nm)	Max. screw-in depth L(mm)
MXF8	M3 X 0.5	0.9	6.5
MXF12	M3 X 0.5	0.9	5.5
MXF16	M4 X 0.7	2.1	6.5
MXF20	M5 X 0.8	4.4	9.5

⚠ Caution

Use bolts at least 0.5mm shorter than maximum thread depth to prevent bolts from contacting the end plate. If the bolts are too long, they hit the end plate and may cause malfunctions.

Construction



Component Parts

No.	Description	Material	Note
①	Body	Aluminum alloy	Hard anodized
②	Table	Aluminum alloy	Hard anodized
③	End plate	Aluminum alloy	Hard anodized
④	Rail	Carbon tool steel	Heat treatment
⑤	Guide	Carbon tool steel	Heat treatment
⑥	Rod	Stainless steel	
⑦	Piston assembly	—	With magnet
⑧	Seal retainer	Brass	Electroless nickel plated
⑨	Head cap	Resin	
⑩	Floating bushing	Stainless steel	
⑪	Orifice	Brass	Electroless nickel plated
⑫	Roller stopper	Stainless steel	
⑬	Cylindrical roller	High carbon chromium bearing	
⑭	Roller spacer	Resin	
⑮	Rod bumper	Polyurethane	

Component Parts

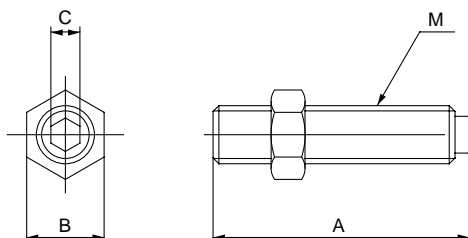
No.	Description	Material	Note
⑯	Adjustment bumper	Polyurethane	
⑰	Piston seal	NBR	
⑱	Rod seal	NBR	
⑲	O ring	NBR	

Replacement Parts: Seal Kits

Bore size (mm)	Kit No.	Note
8	MXF8-PS	1 set including ⑰ to ⑲
12	MXF12-PS	
16	MXF16-PS	
20	MXF20-PS	

* The parts indicated with the numbers ⑰, ⑱ and ⑲ are included in a seal kit. Specify the order numbers in compliance with respective cylinder bore size.

Stroke Adjuster Bolt/Dimensions

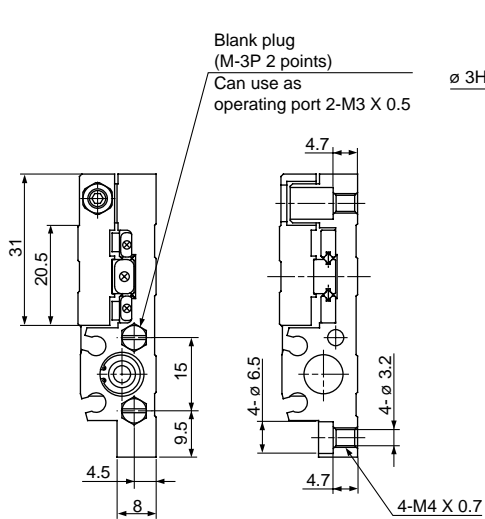
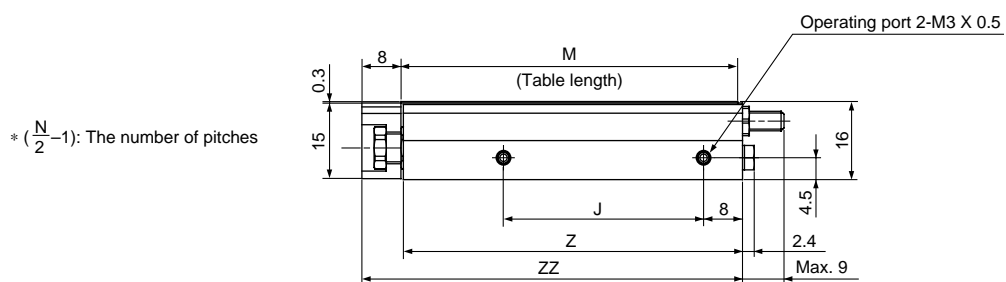
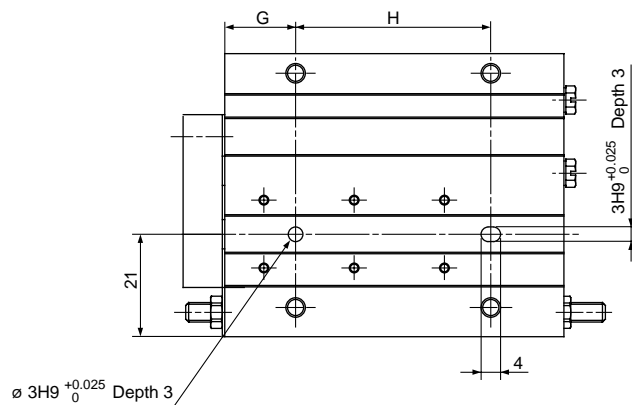


Model	Part No.	Stroke adj. range (mm)	A	B	C	M
MXF8	MXF-A827	5	17	6	2	M4 X 0.7
	MXF-A827-X11	15	27			
MXF12	MXF-A1227	5	23.5	7	2.5	M5 X 0.8
	MXF-A1227-X11	15	33.5			
	MXF-A1627	5	26.5			
MXF16	MXF-A1627-X11	15	36.5	8	3	M6 X 1
	MXF-A1627-X112	25	46.5			
	MXF-A2027	5	30			
MXF20	MXF-A2027-X11	15	40	12	4	M8 X 1
	MXF-A2027-X12	25	50			

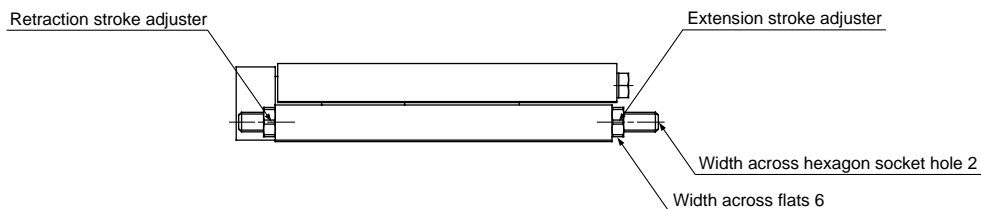
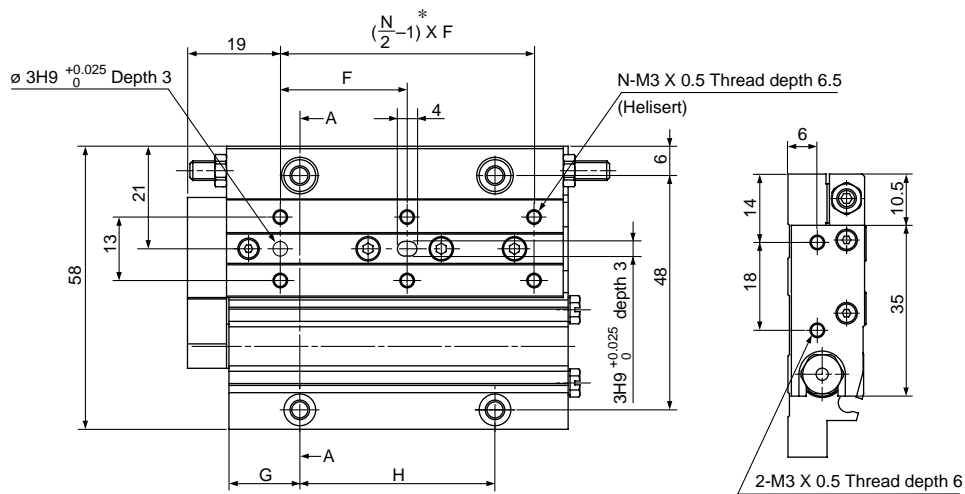
CL
MLG
CNA
CNG
MNB
CNS
CLS
CB
CV/MVG
CXW
CXS
CXT
MX
MXU
MXH
MXS
MXQ
MXF
MXW
MXP
MG
MGP
MGQ
MGG
MGC
MGF
MGZ
CY
MY

Series MXF

Dimensions MXF 8



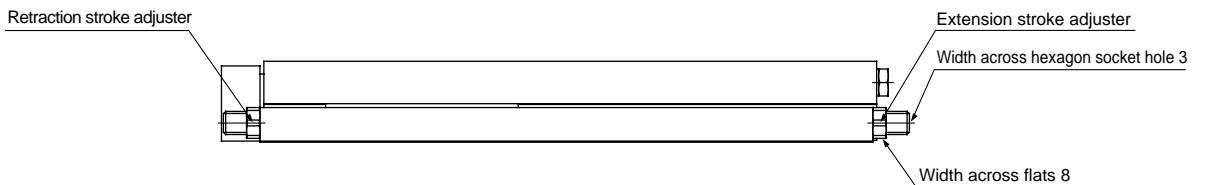
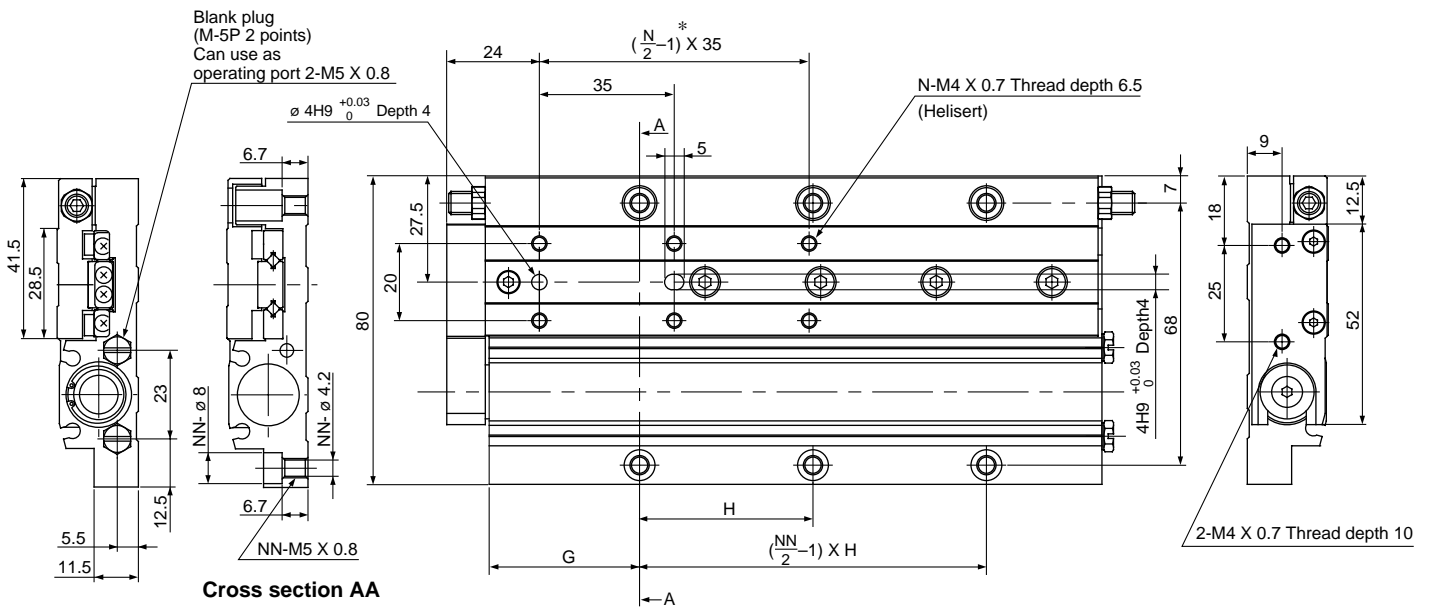
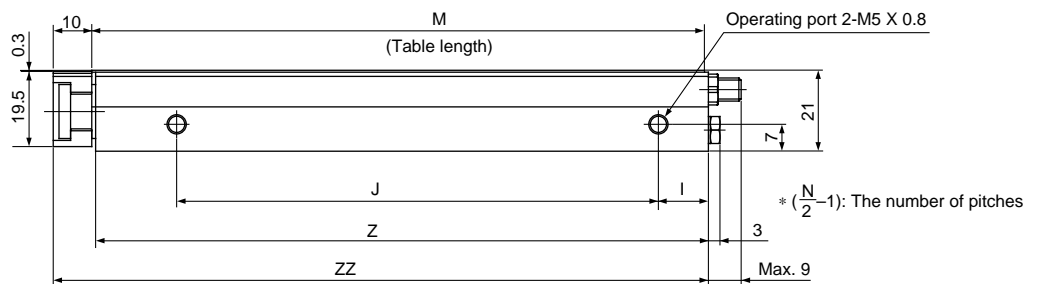
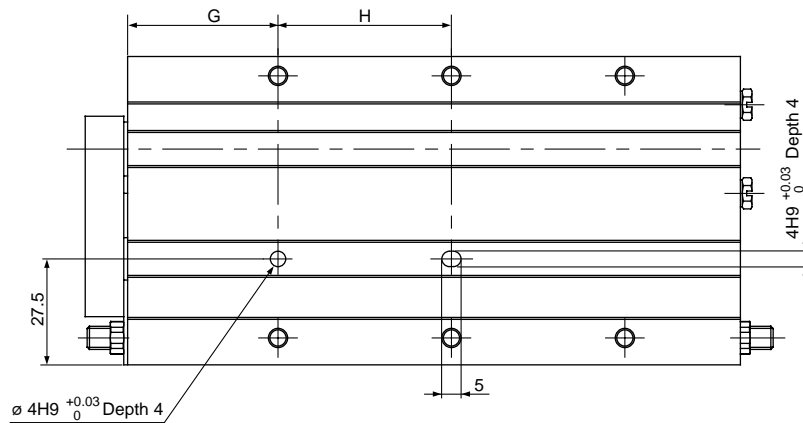
Cross section AA



Model	F	N	G	H	J	M	Z	ZZ
MXF8-10	20	4	13.5	22	21	49	49.5	58
MXF8-20	26	4	14.5	26	26	54	54.5	63
MXF8-30	26	6	14.5	40	41	69	69.5	78

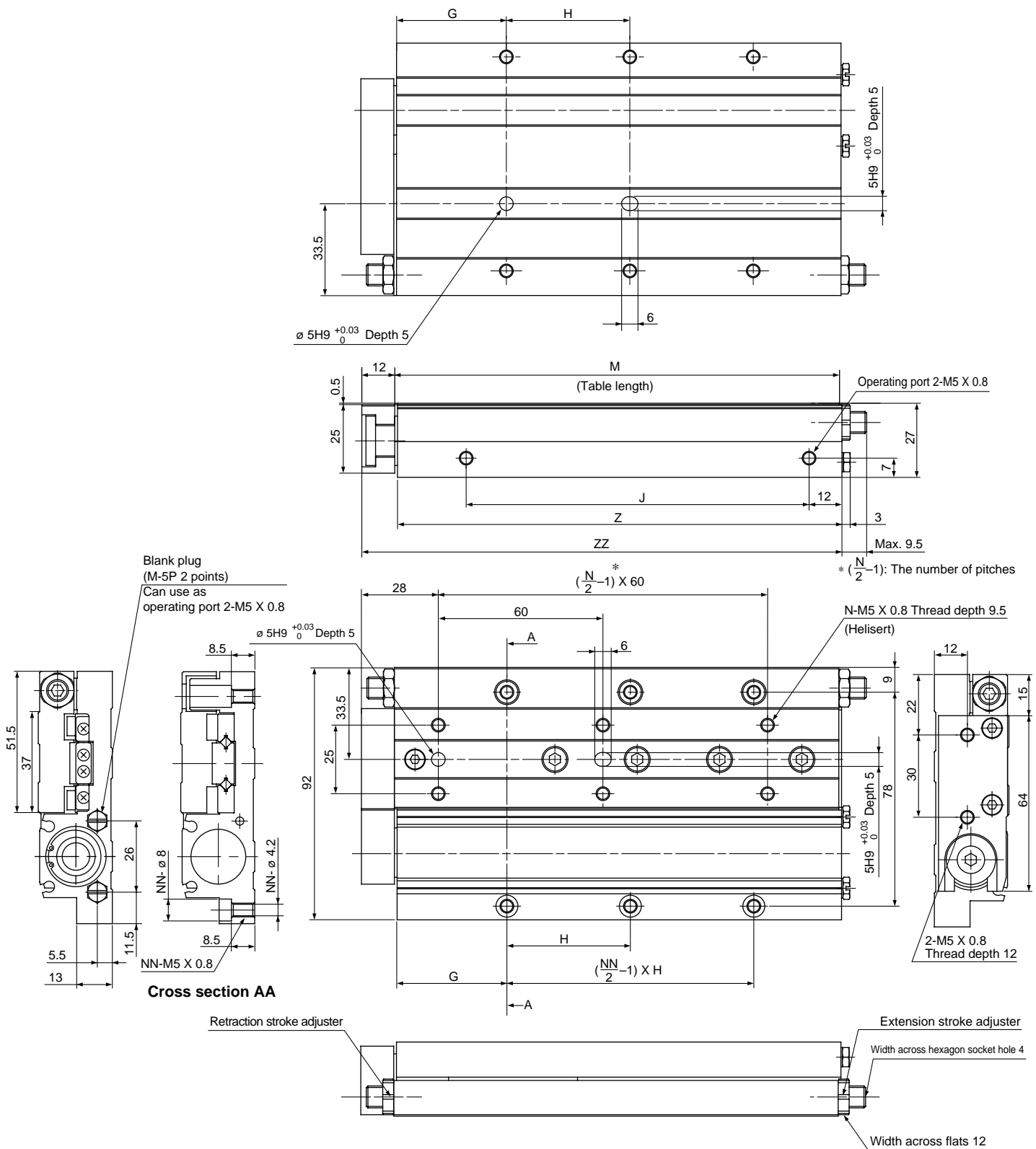
Series MXF

Dimensions MXF 16



Model	N	G	H	NN	I	J	M	Z	ZZ
MXF16-30	4	29	25	4	12	50	83	83	94
MXF16-50	6	29	55	4	12	80	113	113	124
MXF16-75	6	39	45	6	13	125	159	159	170

Dimensions **MXF20**



- CL
- MLG
- CNA
- CNG
- MNB
- CNS
- CLS
- CB
- CV/MVG
- CXW
- CXS
- CXT
- MX**
- MXU
- MXH
- MXS
- MXQ
- MXF**
- MXW
- MXP
- MG
- MGP
- MGQ
- MGG
- MGC
- MGF
- MGZ
- CY
- MY

Model	N	G	H	NN	J	M	Z	ZZ
MXF20-30	4	29	30	4	57	91	91	104
MXF20-50	4	36	45	4	77	113	113	126
MXF20-75	6	40	45	6	125	162	162	175
MXF20-100	6	59	60	6	175	211	211	224

Series MXF Auto Switch Specifications

* Refer to p.5.3-2 for the detailed specifications on auto switches



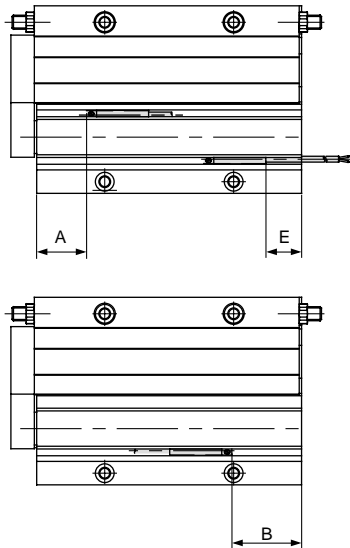
Applicable Auto Switch Model

Bore size	Auto switch model	Electrical entry/Function	Page	
ø 8, ø 12 ø 16, ø 20	Reed switch	D-A90	2 wire, In-line	5.3-19
		D-A93		
		D-A96	3 wire, In-line	5.3-19
		D-A90V	2 wire, Perpendicular	5.3-20
		D-A93V		
		D-A96V		
	Solid state switch	D-F9N	3 wire(NPN), In-line	5.3-39
		D-F9P	3 wire(PNP), In-line	5.3-39
		D-F9B	2 wire, In-line	5.3-39
		D-F9NW	3 wire(NPN), 2 colour, In-line	5.3-66
		D-F9PW	3 wire(PNP), 2 colour, In-line	5.3-66
		D-F9BW	2 wire, 2 colour, In-line	5.3-66
		D-F9NV	3 wire(NPN), Perpendicular	5.3-39
		D-F9PV	3 wire(PNP), Perpendicular	5.3-39
		D-F9BV	2 wire, Perpendicular	5.3-39
		D-F9NWV	3 wire(NPN), 2 colour, Perpendicular	5.3-66
		D-F9PWV	3 wire(PNP), 2 colour, Perpendicular	5.3-66
		D-F9BWW	2 wire, 2 colour, Perpendicular	5.3-66

⚠ Precautions

Be sure to read before handling.
Refer to p.0-44 to 0-46 for common precautions.

Auto Switch/Suitable Mounting Position for End of Stroke Detection



Reed switch: D-A90, D-A93, D-A96, D-A90V, D-A93V, D-A96V (mm)

Model	A	B						E						Switch operation range
		Stroke						Stroke						
		10	20	30	50	75	100	10	20	30	50	75	100	
MXF8	9.5	10	5	10	—	—	—	8 (5.5)	3 (0.5)	8 (6.5)	—	—	—	4.5
MXF12	12	—	13.1	13.1	29.1	—	—	11.1 (8.6)	11.1 (8.6)	27.1 (24.6)	—	—	—	5
MXF16	17.2	—	—	15.8	25.8	46.8	—	—	—	13.8 (11.3)	23.8 (21.3)	44.8 (42.3)	—	6
MXF20	19.4	—	—	20.7	22.7	46.2	70.7	—	—	18.7 (16.2)	20.7 (18.2)	44.2 (41.7)	68.7 (66.2)	7

Solid state switch: D-F9B, D-F9P, D-F9N, D-F9□W (mm)

Model	A	B						E						Switch operation range
		Stroke						Stroke						
		10	20	30	50	75	100	10	20	30	50	75	100	
MXF8	13.5	14	9	14	—	—	—	4	-1	4	—	—	—	2
MXF12	16	—	17.1	17.1	33.1	—	—	7.1	7.1	23.1	—	—	—	2.5
MXF16	21.2	—	—	19.8	29.8	50.8	—	—	—	9.8	19.8	40.8	—	3
MXF20	23.4	—	—	24.7	26.7	50.2	74.7	—	—	14.7	16.7	40.2	64.7	4

Solid state switch: D-F9BV, D-F9NV, D-F9PV, D-F9□WV (mm)

Model	A	B						E						Switch operation range
		Stroke						Stroke						
		10	20	30	50	75	100	10	20	30	50	75	100	
MXF8	13.5	14	9	14	—	—	—	6	1	6	—	—	—	2
MXF12	16	—	17.1	17.1	33.1	—	—	9.1	9.1	25.1	—	—	—	2.5
MXF16	21.2	—	—	19.8	29.8	50.8	—	—	—	11.8	21.8	42.3	—	3
MXF20	23.4	—	—	24.7	26.7	50.2	74.7	—	—	16.7	18.7	42.2	66.7	4

() : D-A93